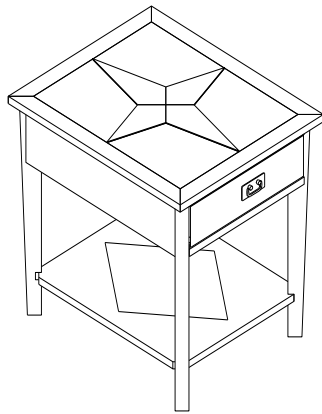


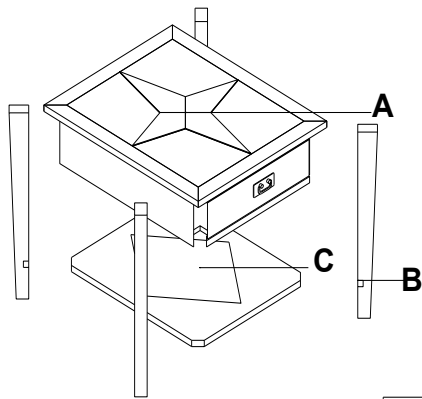
Chairside End Table/End Table

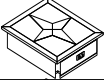

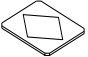





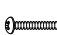

Thank you for purchasing our Chairside End Table/End Table. We have found it helpful to have a second person present in at least one step of the assembly.

Rectangle/Chairside End Table Assembly Instructions

Lay out all parts on a "non-abrasive" surface to avoid scratching furniture.



NO.	DRAWING	DESCRIPTION	QTY.
A		TOP	1
B		POST	4
C		SHELF	1

NO.	DRAWING	DESCRIPTION	QTY.
D		M6*35mm BOLT	4
E		HEX WRENCH	1
F		HANDLE	1
G		HANDLE SCREWS	2
H		M6*20mm BOLT	4

PARTS

Step 1

Read through these instructions thoroughly before beginning assembly. We have found this to be of great value when first assembling this product.

Step 2

Remove all parts and hardware from packing material. Wooden pieces should be placed on a non-abrasive surface (like the carton or carpet) to prevent damage to the finish.

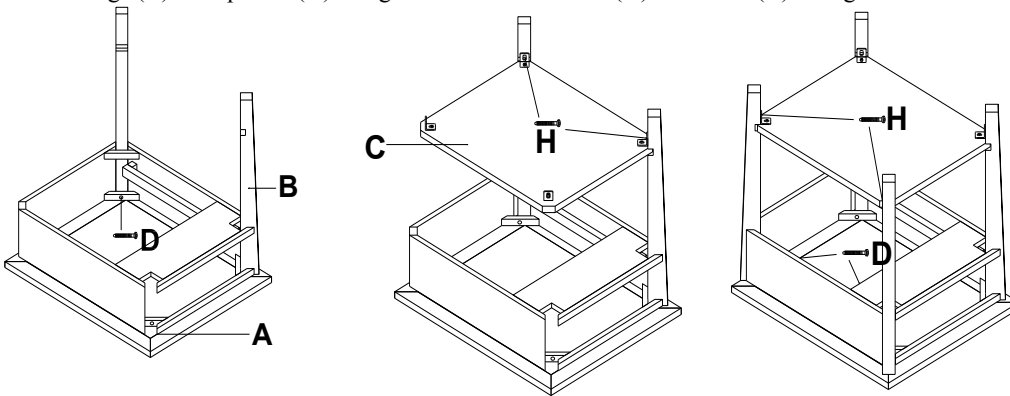
Step 3, 4 and 5

Remove drawer from Top Unit (A). Lay Top Unit upside down and attach 2 Posts (B) by using 2 M6 x 35 Hex Bolts (D).

Note: It will help to have a second person at this time to assist in assembly.

Put shelf (C) into slots in Legs (B) and attach to Legs (B) using 2 M6 x 20 Hex Bolts (H).

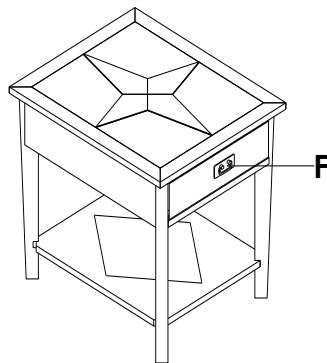
Attach Legs (B) to Top Unit (A) using 2 M6 x 35 Hex Bolts (D) and Shelf (C) using 2 M6 x 20 Hex Bolts (H).



Step 6

Place End Table right-side up.

Attach Handle (F) using 2 Handle Screws (G).



CARE

Clean with mild soap and wipe dry.

REPLACEMENT PARTS:

For best service, to order replacement parts go to www.alaterrefurniture.com. Use the order form on the web site to order your replacement parts. **Thank You!**